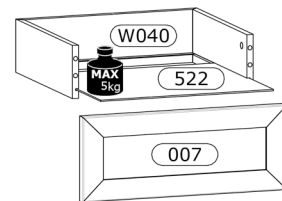
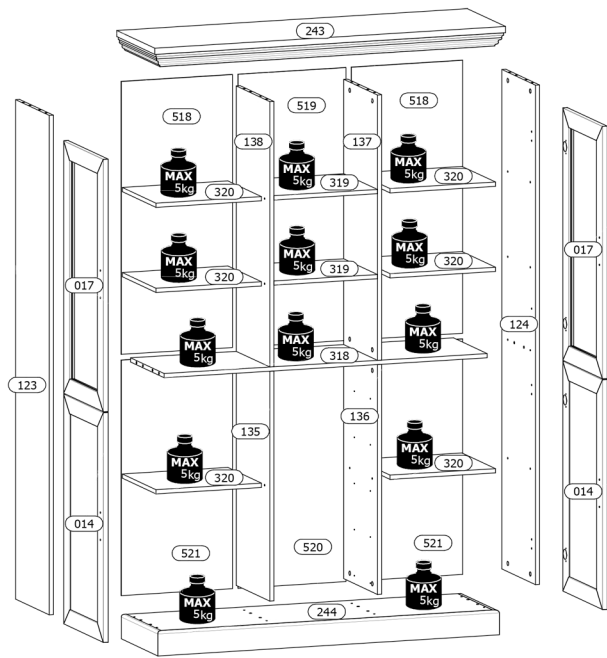
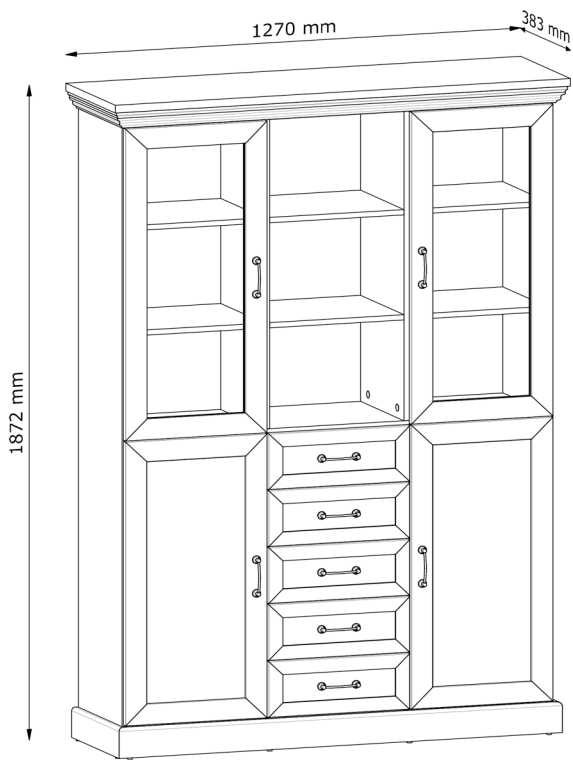
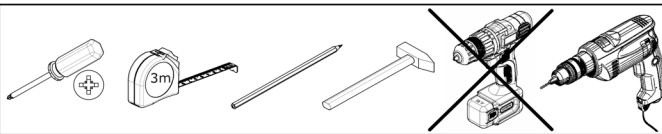


Royal

W2D

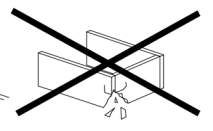
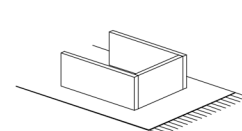
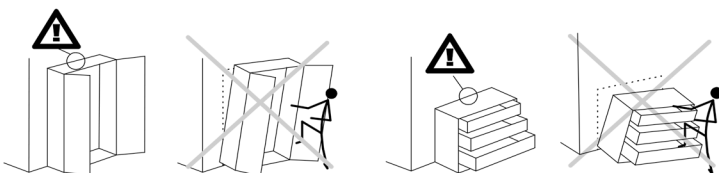


x5



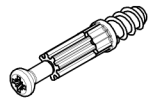
A1 x30 Ø8x35mm	A2 x4 Ø8x60mm	B1 x30 Ø5x38mm	B2 x4 Ø7x70mm	C1 x28 Ø15x12mm
C2 x10 Ø12x10mm	E1 x32 Ø5x16mm	G1 x74 26mm	G3 x30 22x10mm	J1 x10 Ø21mm
J6 x20 Ø21mm	P19-CL x5 300mm	P19-CR x5 300mm	P19-DL x5 300mm	P19-DR x5 300mm
T4 x2 75x28x16 mm	U7 x9 118x22mm	W2 x40 Ø3,5x16mm	W8 x20 Ø3x25mm	X2 x10 M4x16mm
X3 x8 M4x22mm	Y1 x18 Ø8x1,5mm	Y5 x12 Ø15x20mm	Z1 x8 50x40, H=2	Z3 x8 Ø35, ZK0

No	L[mm]	W[mm]	H[mm]	PCS	BOX
007	395	160	18	5	2/5
014	810	395	18	2	2/5
017	890	395	18	2	4/5
123	1760	335	15	1	1/5
124	1760	335	15	1	1/5
135	810	335	15	1	1/5
136	810	335	15	1	1/5
137	935	335	15	1	1/5
138	935	335	15	1	1/5
243	1270	380	72	1	5/5
244	1237	363,5	86	1	5/5
318	1170	335	15	1	1/5
319	375	335	15	2	3/5
320	382	335	15	6	3/5
518	962	403	2,5	2	5/5
519	962	391	2,5	1	5/5
520	830	391	2,5	1	5/5
521	830	403	2,5	2	5/5
522	301	334	2,5	5	5/5
W040	949	100	12	5	1/5



1

B1 x10

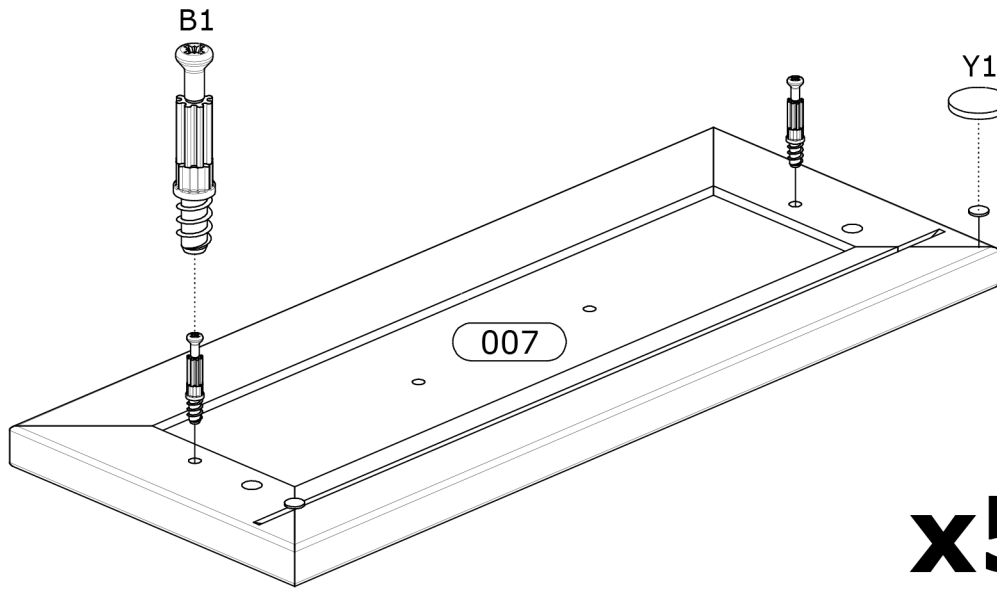
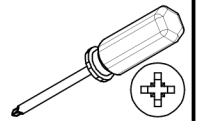
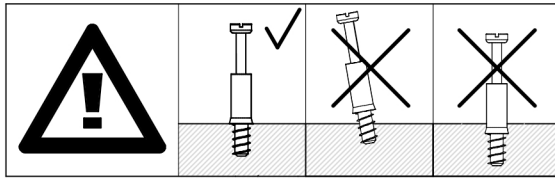


Ø5x38mm

Y1 x10



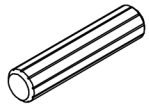
Ø8x1,5mm



x5

2

A1 x10

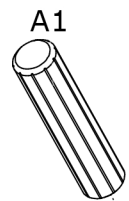
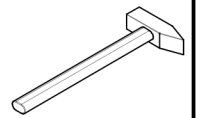
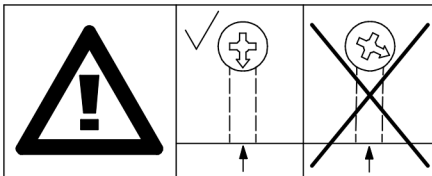


Ø8x35mm

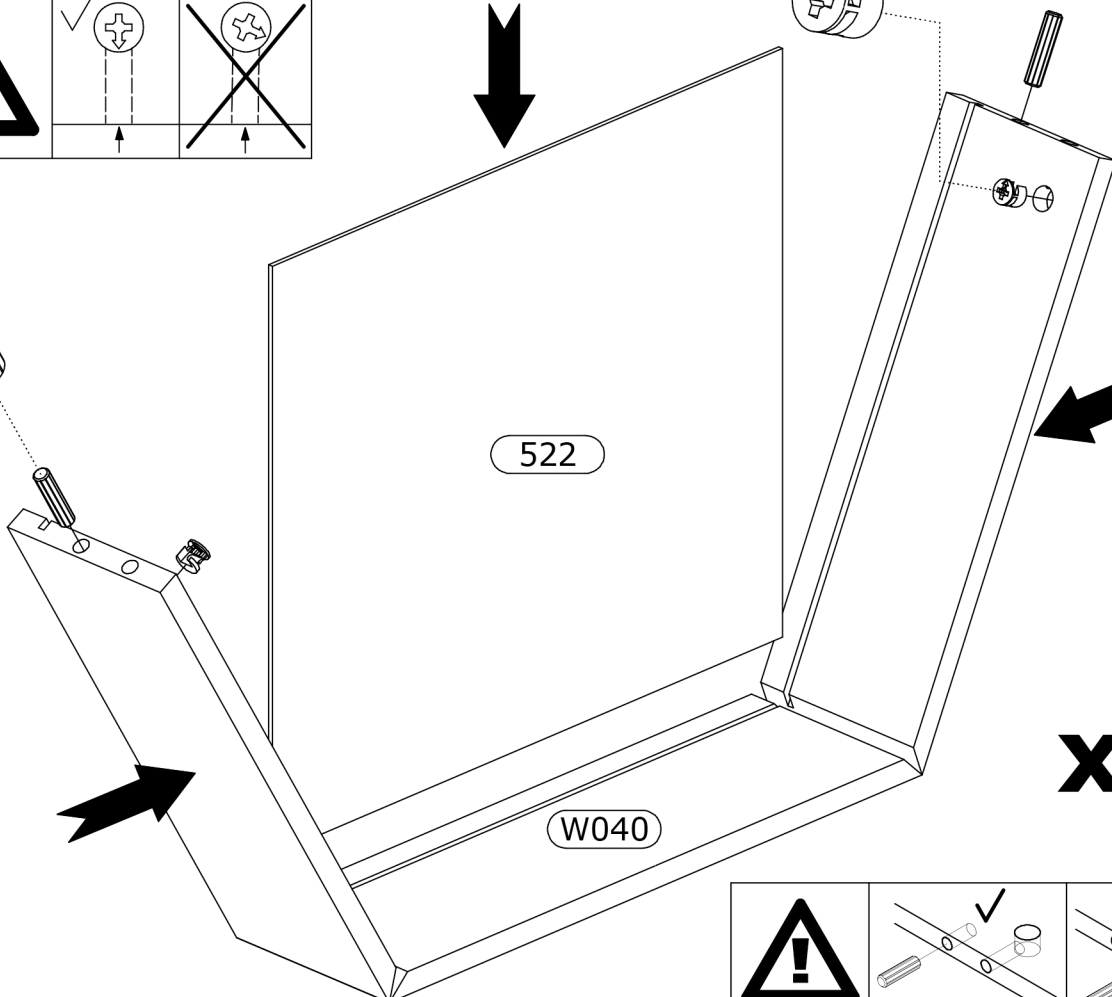
C2 x10



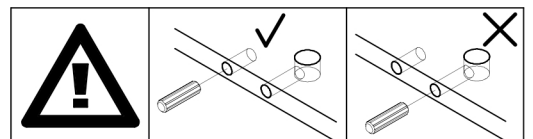
Ø12x10mm



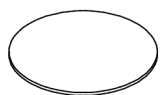


A1

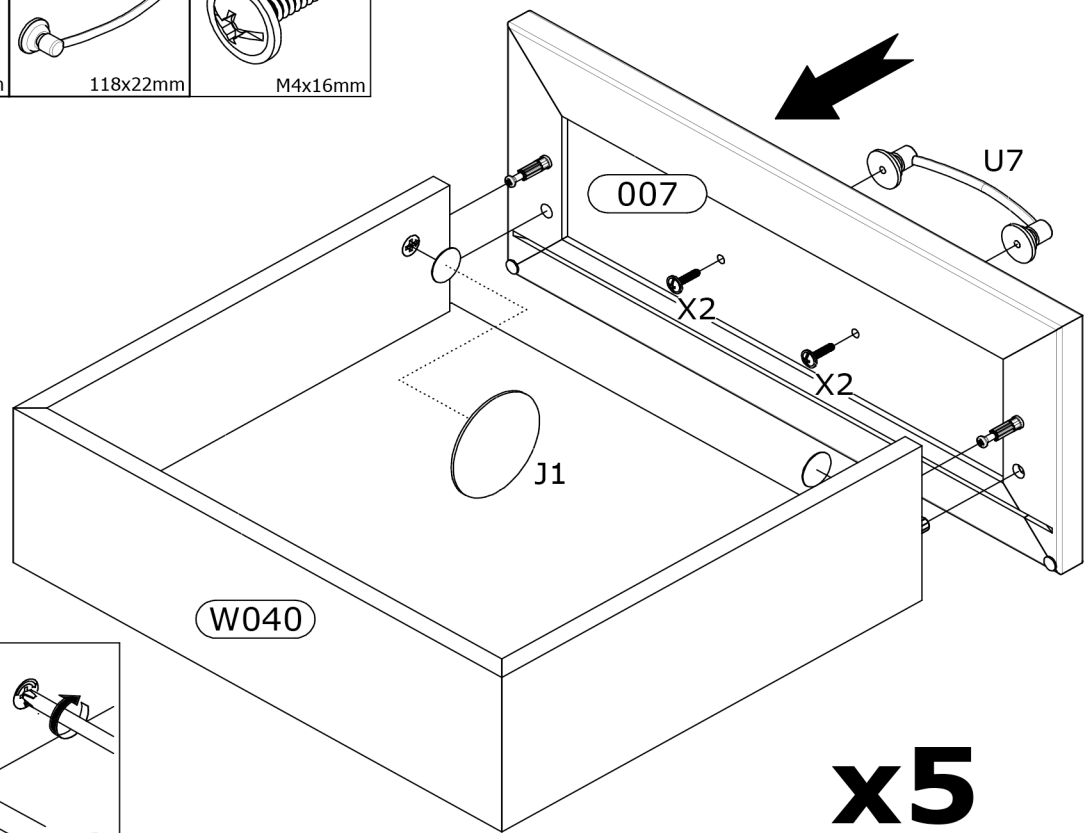
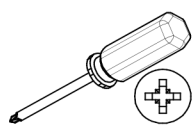


x5

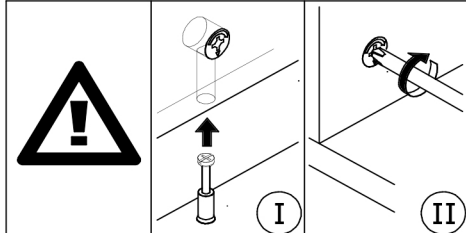


3



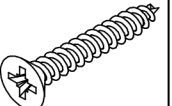
J1 x10  Ø21mm	U7 x5  118x22mm	X2 x10  M4x16mm
------------------------------------------------------------------------------------------------------------	--------------------------------------------------------------------------------------------------------------	--------------------------------------------------------------------------------------------------------------

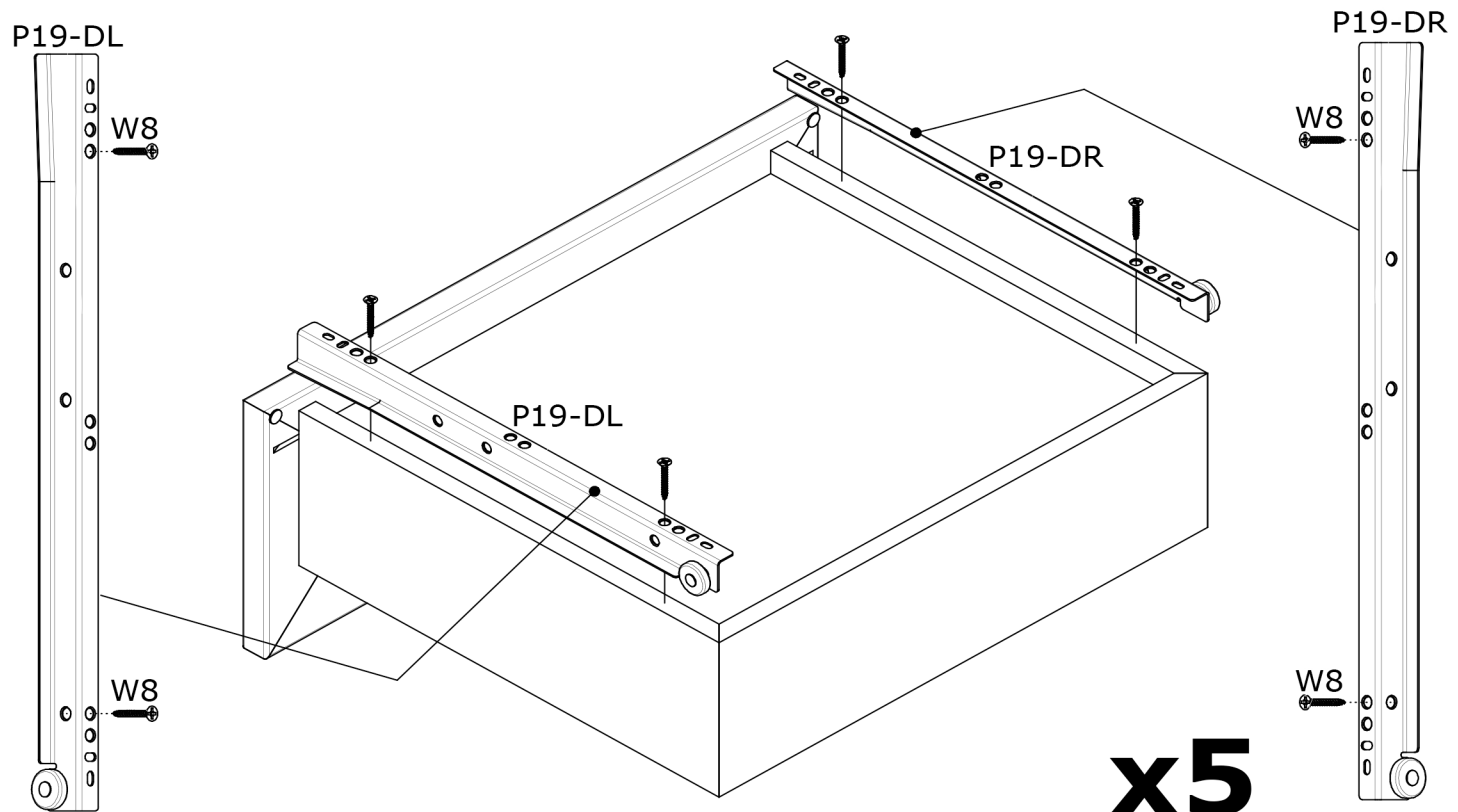
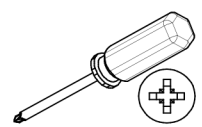


x5



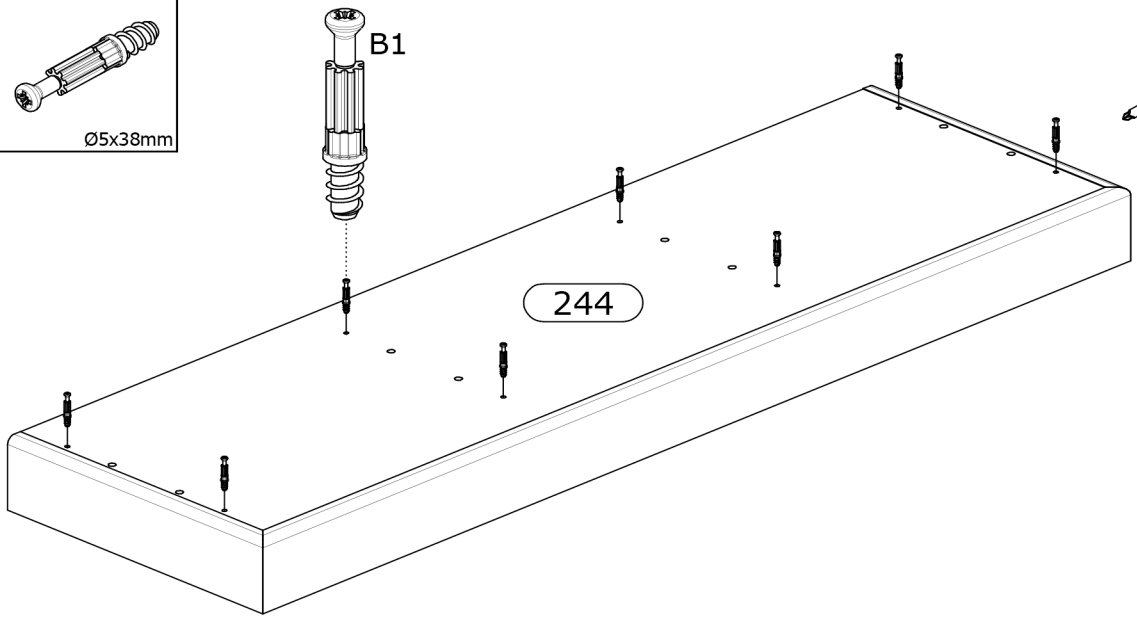
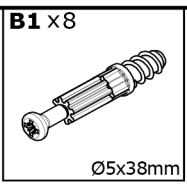
4

P19-DL x5  300mm	P19-DR x5  300mm	W8 x20  Ø3x25mm
------------------------------------------------------------------------------------------------------------------	------------------------------------------------------------------------------------------------------------------	-----------------------------------------------------------------------------------------------------------------

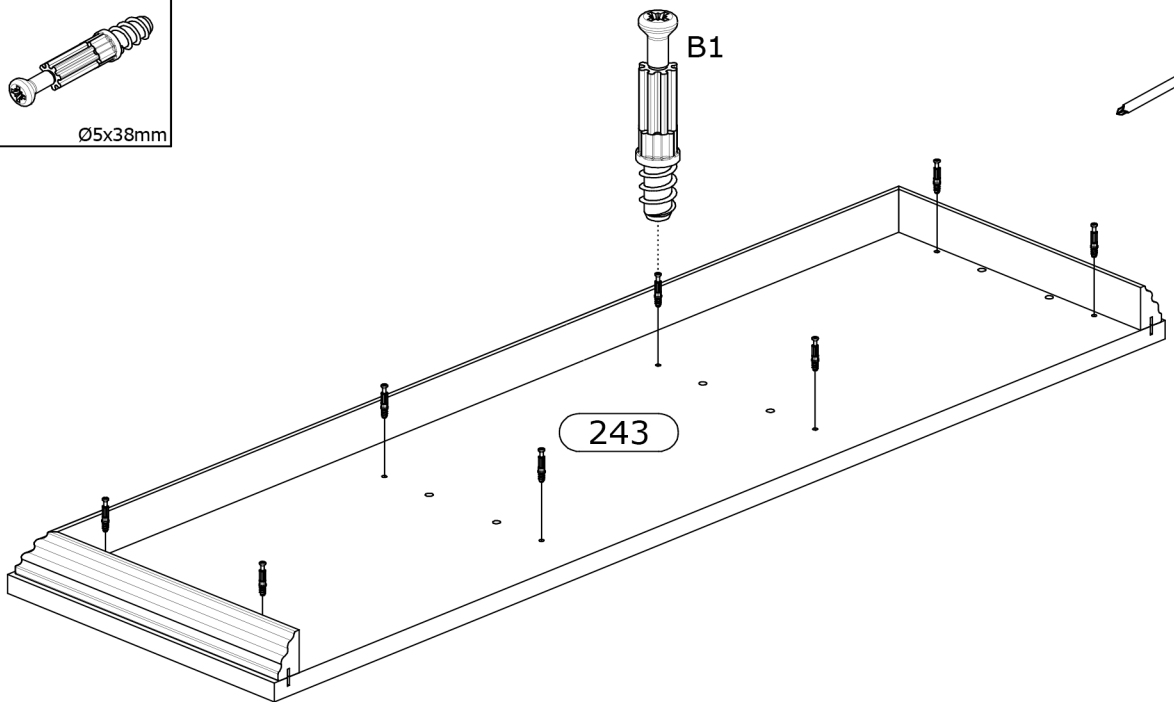
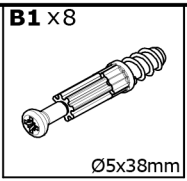


x5

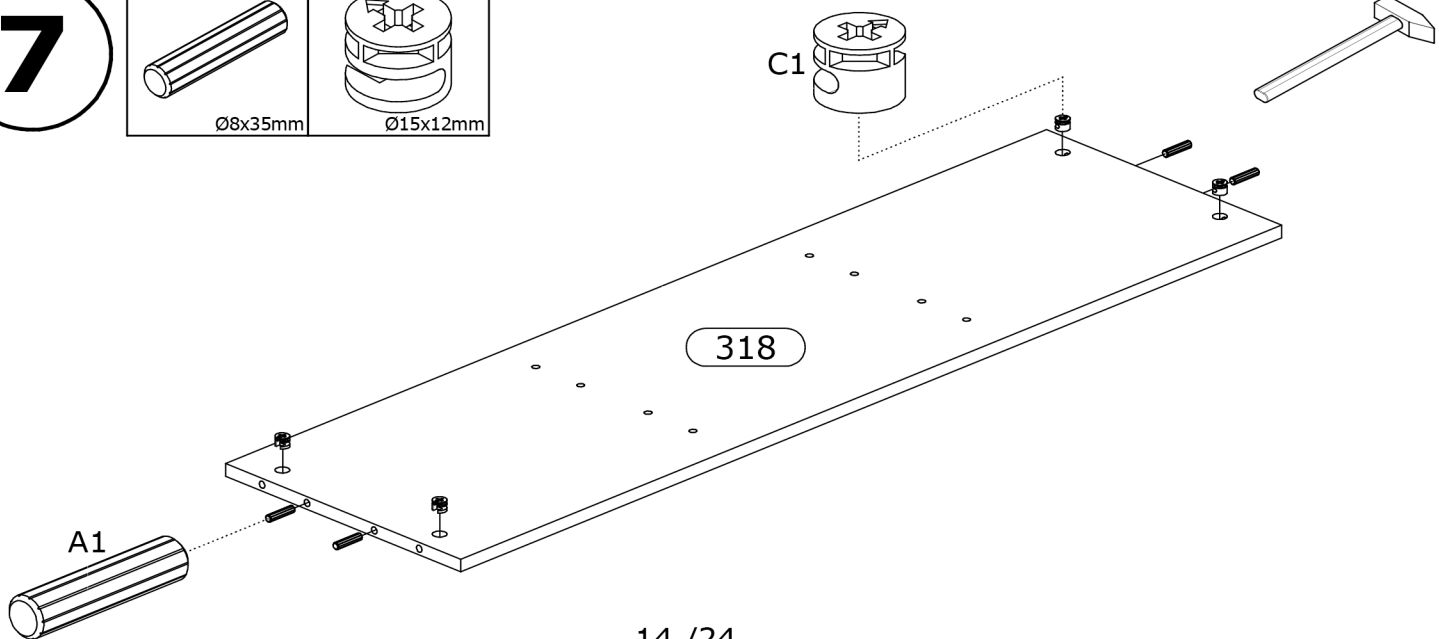
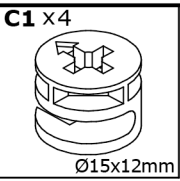
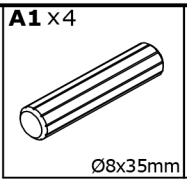
5



6

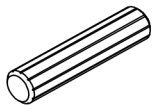


7



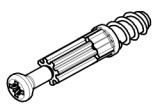
8

A1 x 8



Ø8x35mm

B1 x 4



Ø5x38mm

C1 x 8

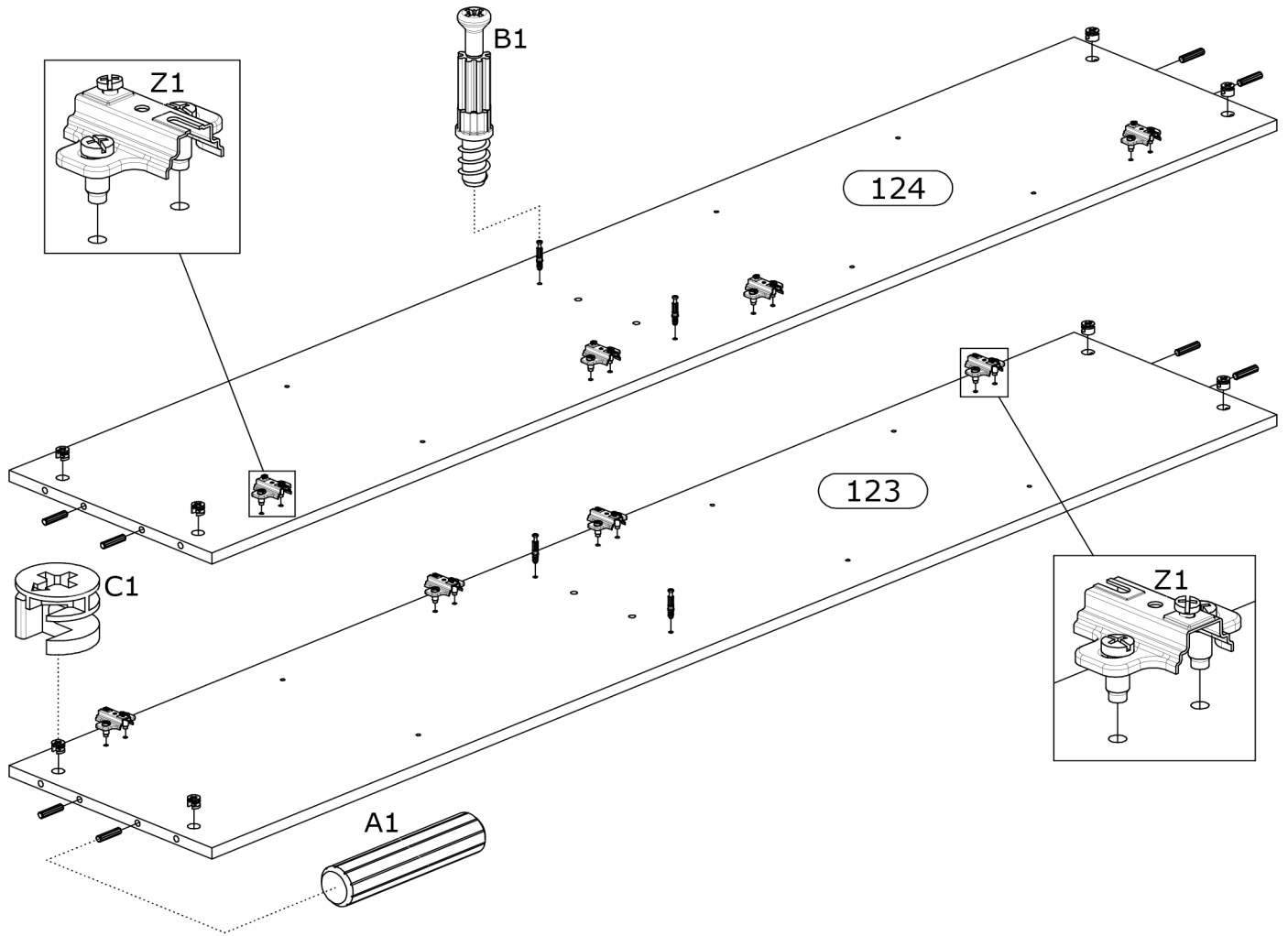
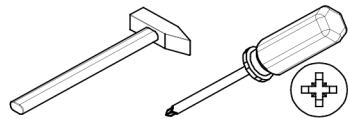


Ø15x12mm

Z1 x 8

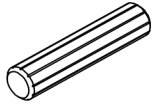


50x40, H=2



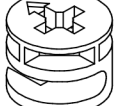
9

A1 x 4

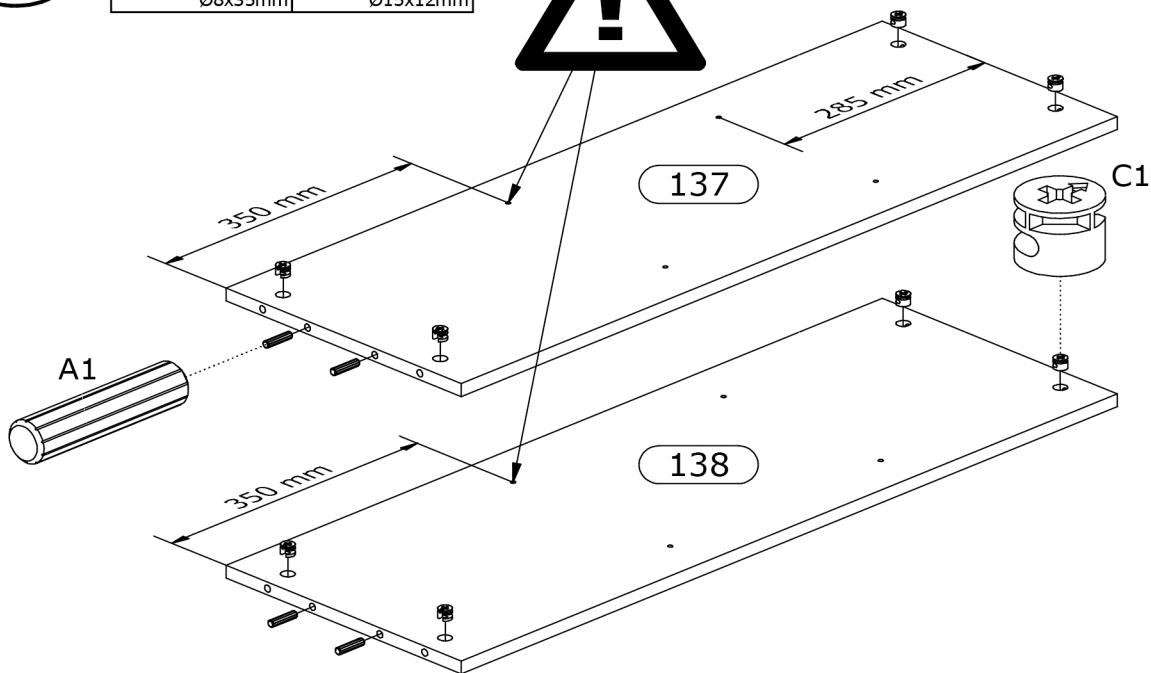
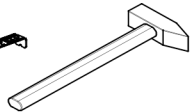
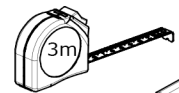


Ø8x35mm

C1 x 8

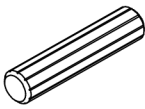


Ø15x12mm



10

A1 x 4



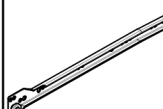
Ø8x35mm

C1 x 8



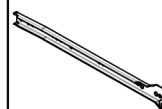
Ø15x12mm

P19-CL x 4



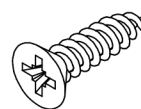
300mm

P19-CR x 4

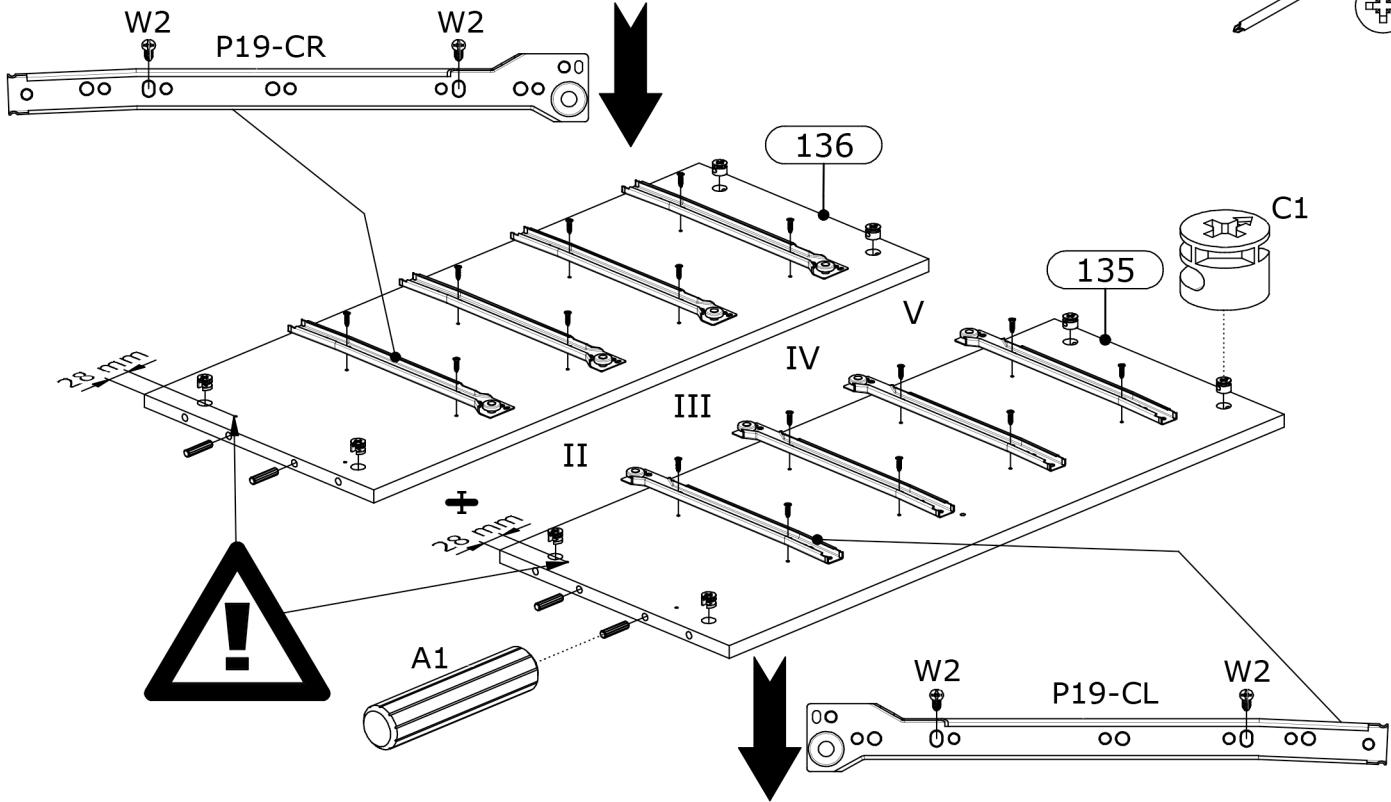
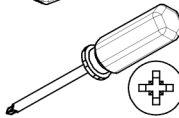
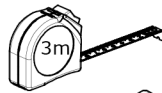
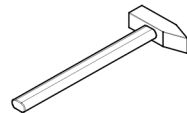


300mm

W2 x 16

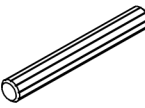


Ø3,5x16mm



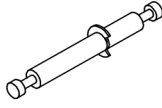
11

A2 x 4

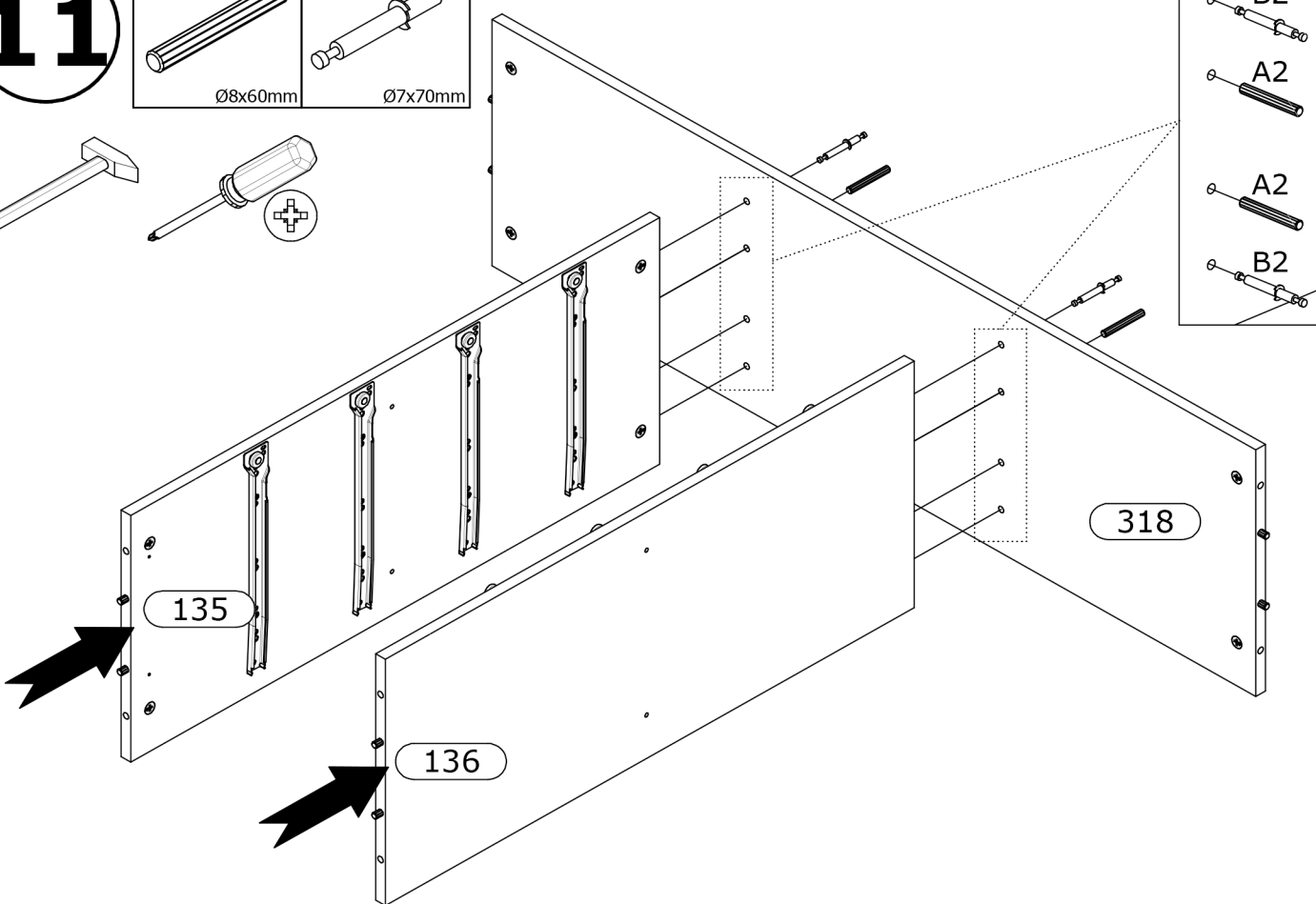
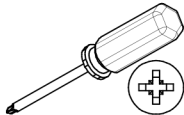
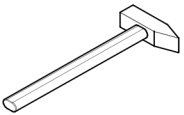


Ø8x60mm

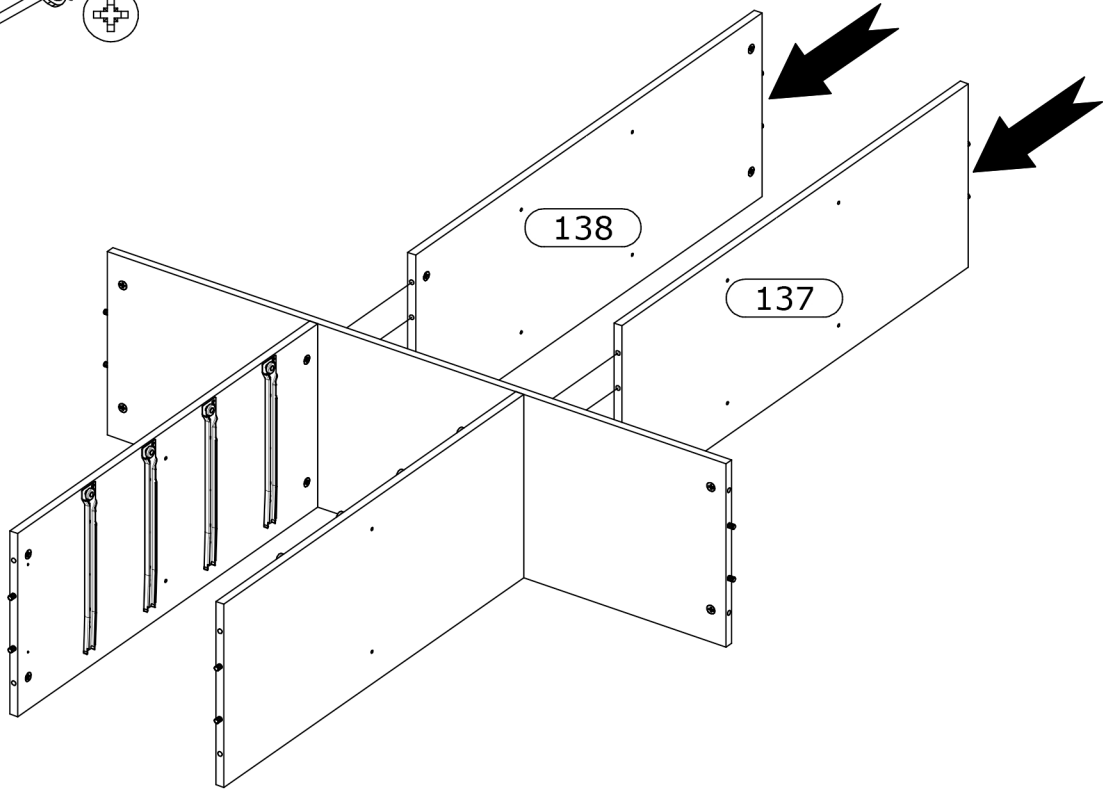
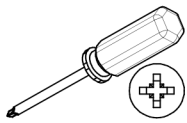
B2 x 4



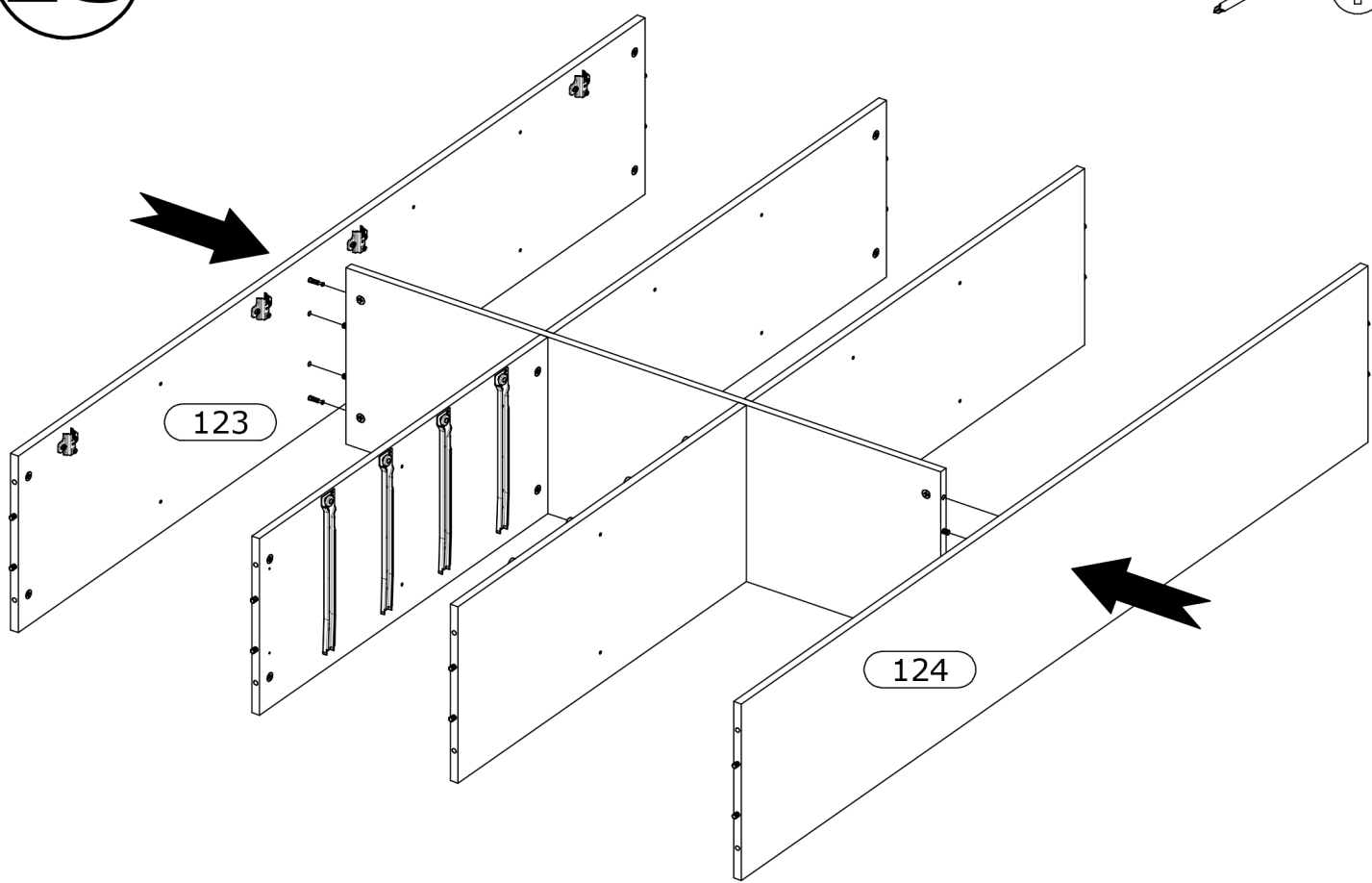
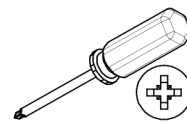
Ø7x70mm



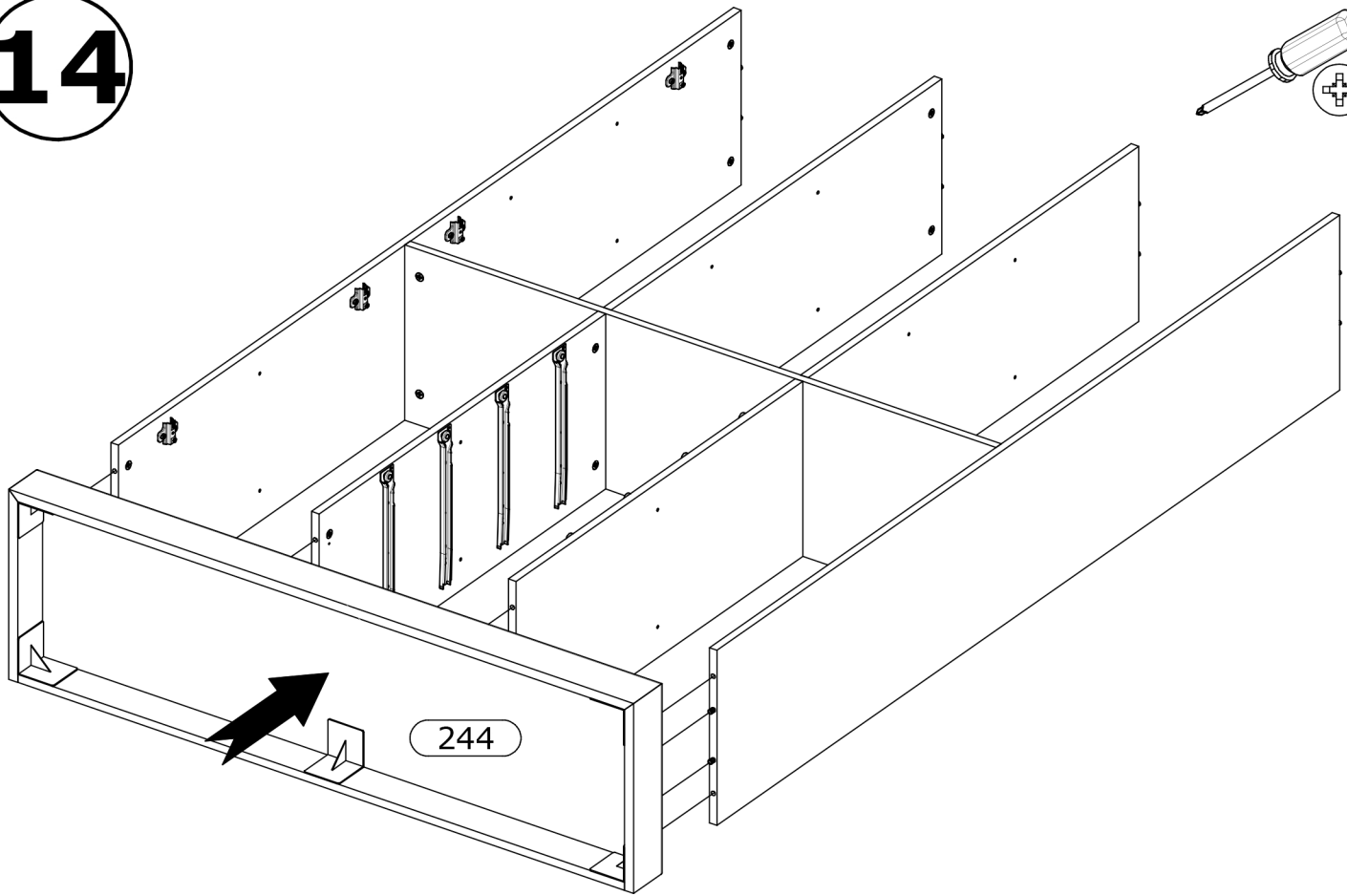
12



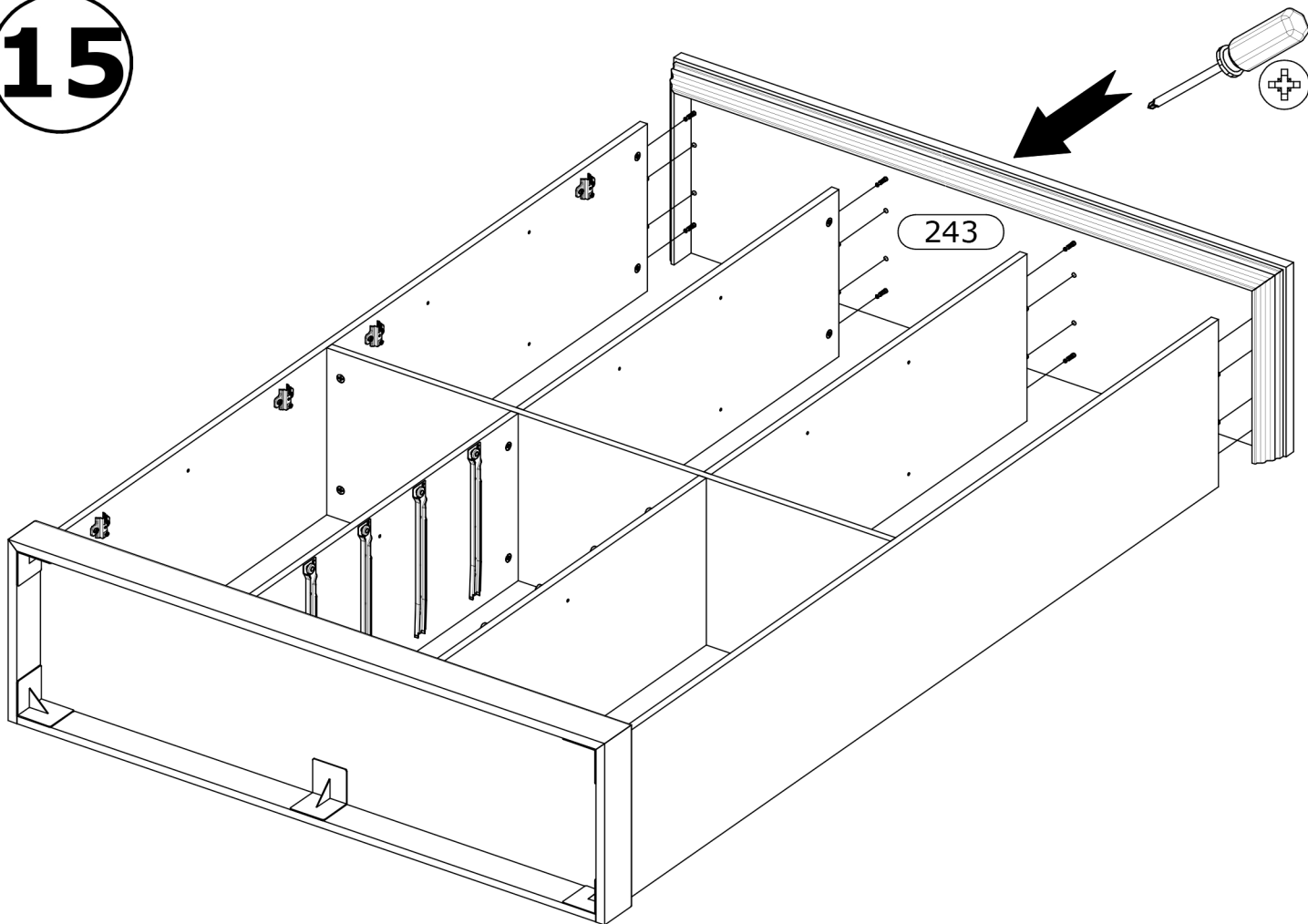
13



14

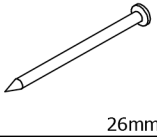


15



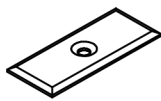
16

G1x74



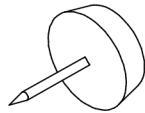
26mm

G3x30

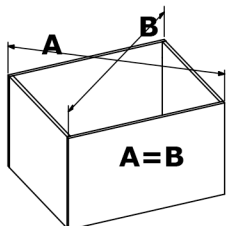
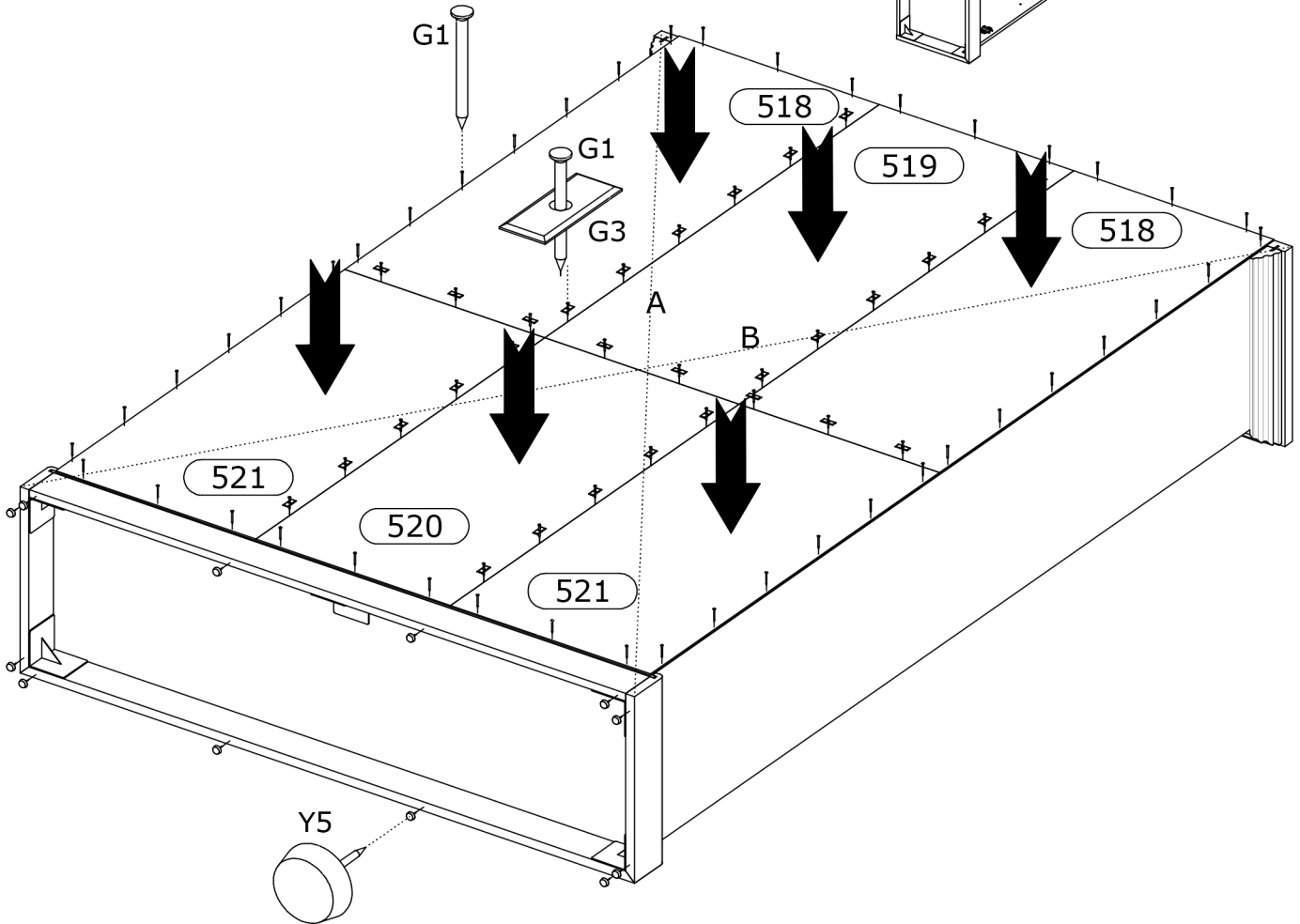
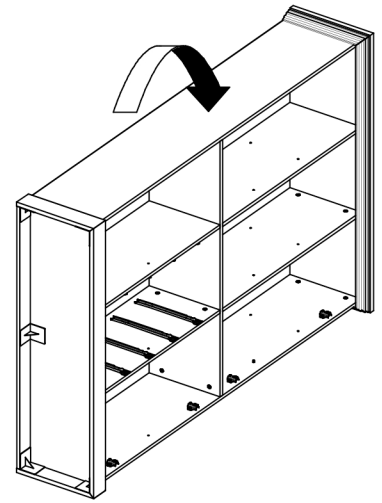
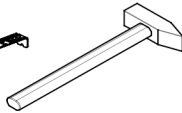
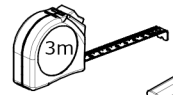


22x10mm

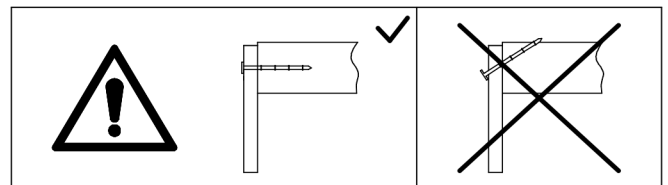
Y5x12



Ø15x20mm

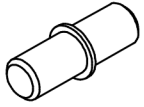


$A=B \equiv 90^\circ$



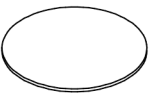
17

E1 x32

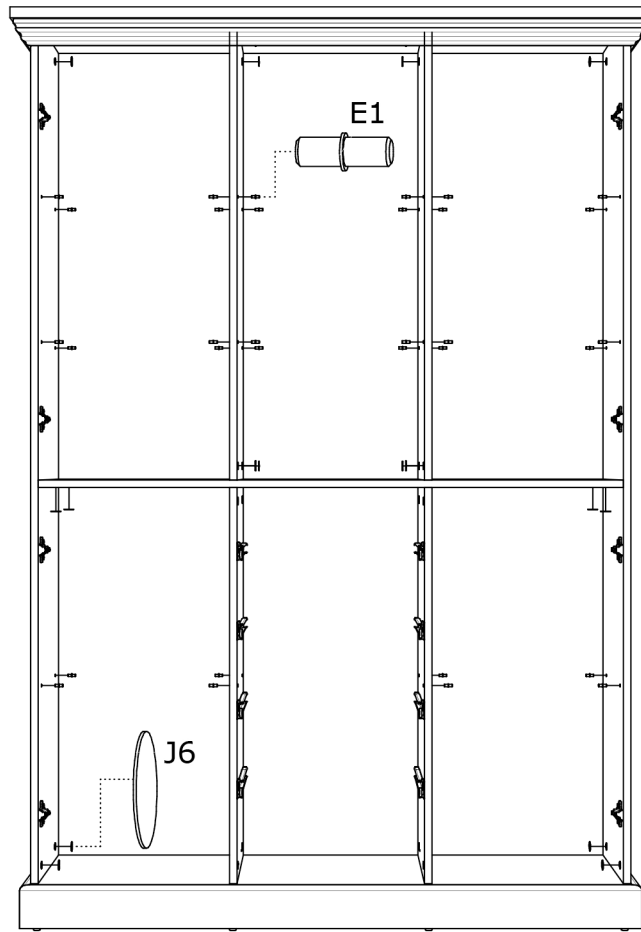


Ø5x16mm

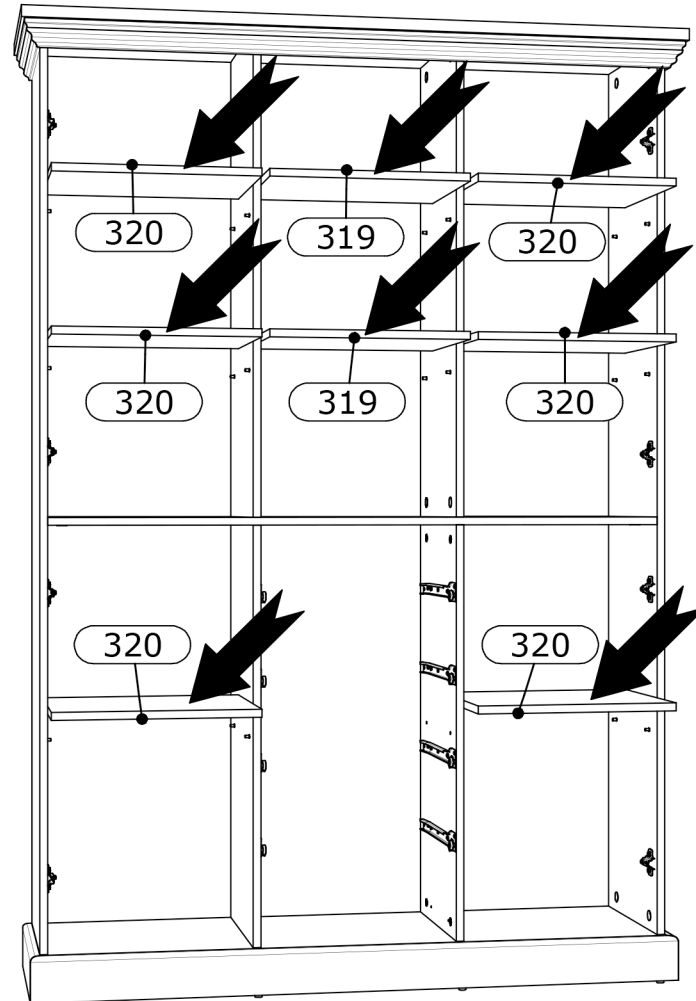
J6 x20



Ø21mm

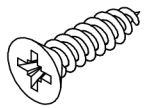


18



19

W2 x 16



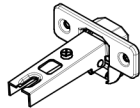
Ø3,5x16mm

Y1 x 8

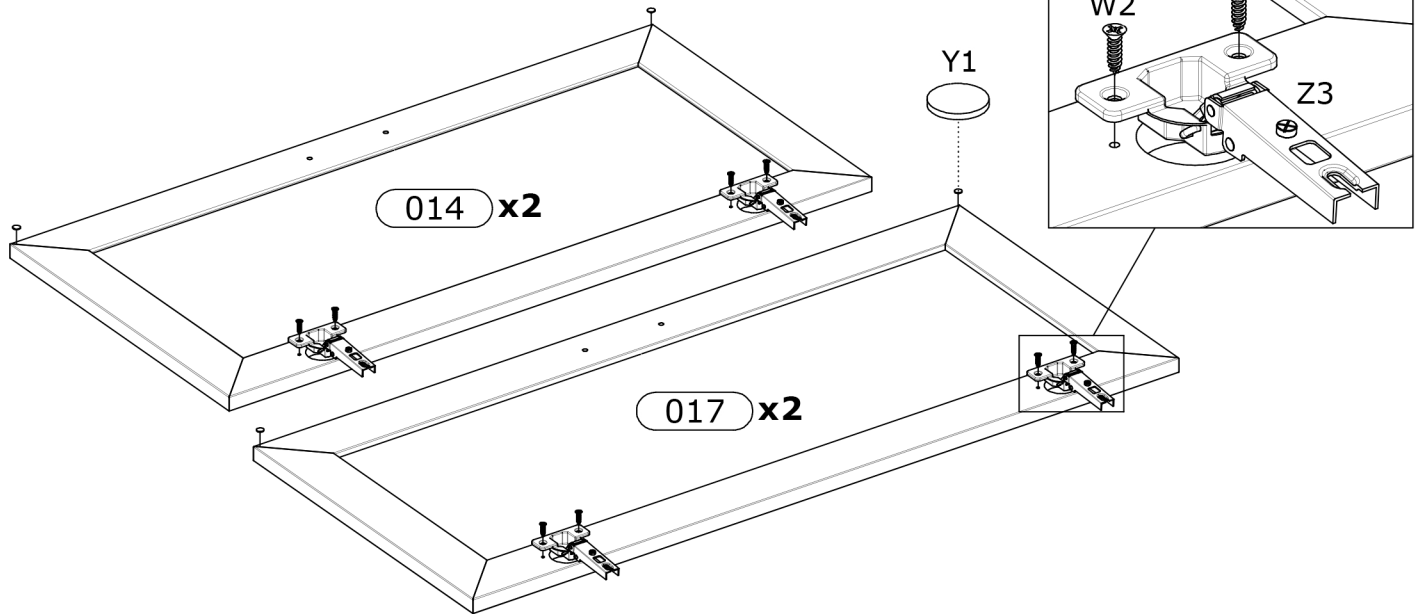
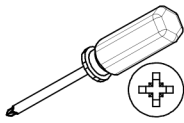


Ø8x1,5mm

Z3 x 8

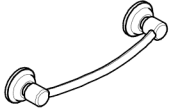


Ø35, ZK0



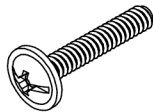
20

U7 x 4

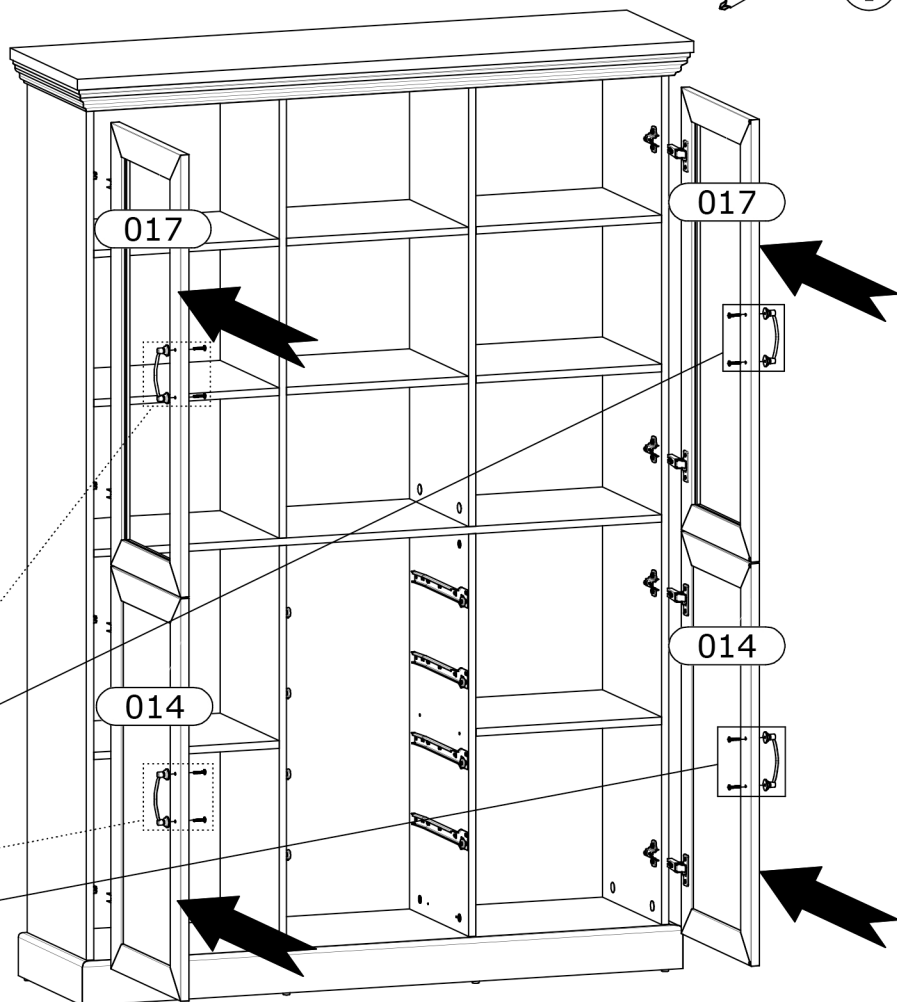
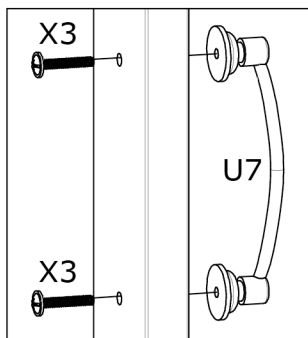
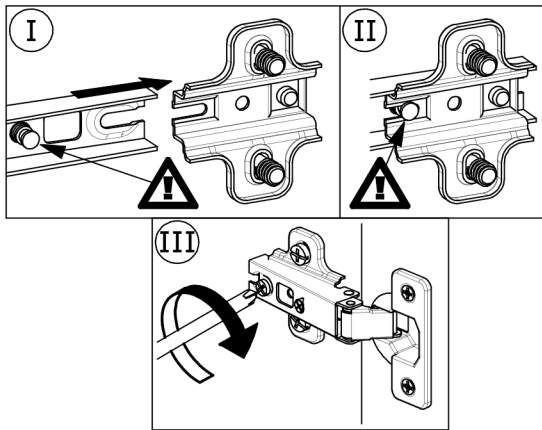
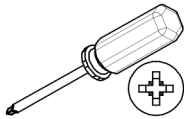


118x22mm

X3 x 8

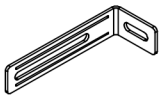


M4x22mm



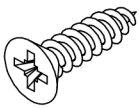
21

T4 x 2

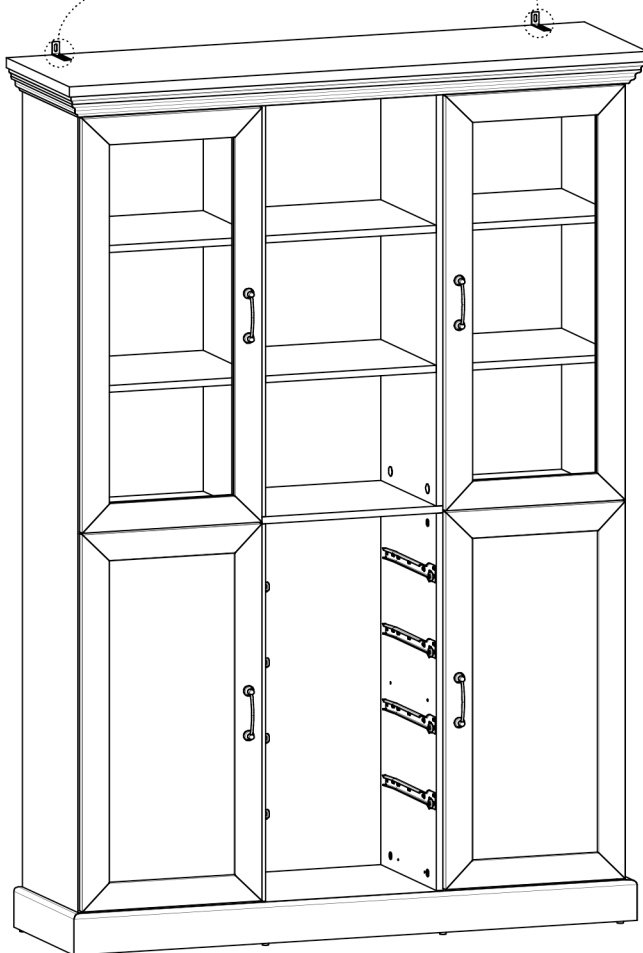
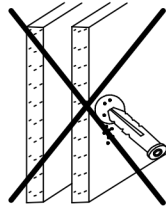
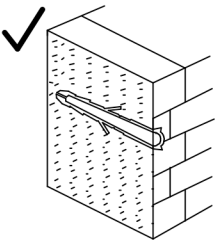
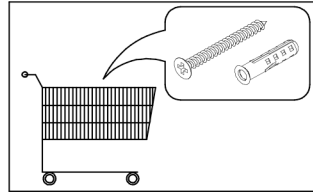
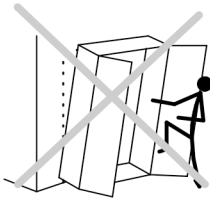
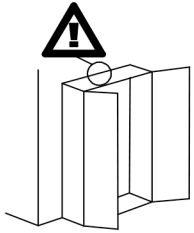
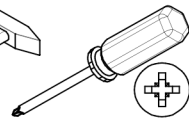
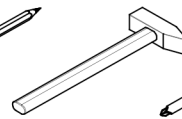


75x28x16 mm

W2 x 4



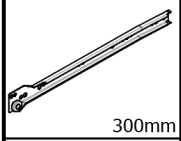
Ø3,5x16mm



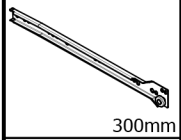
- I
- II
- III
- IV
- V
- VI

22

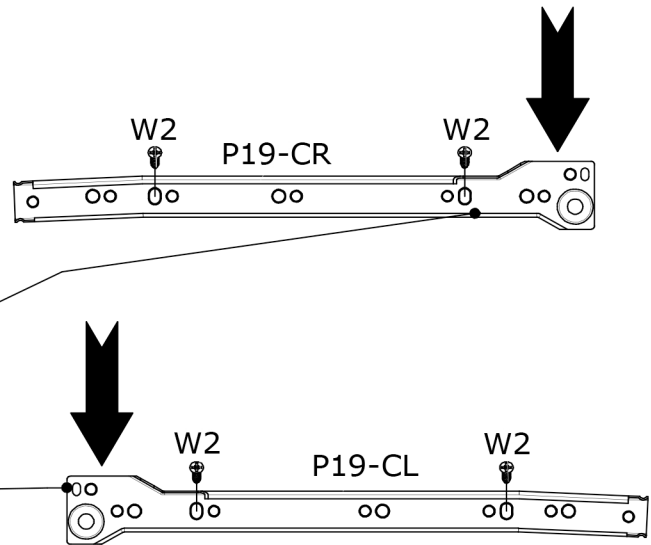
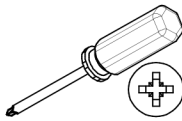
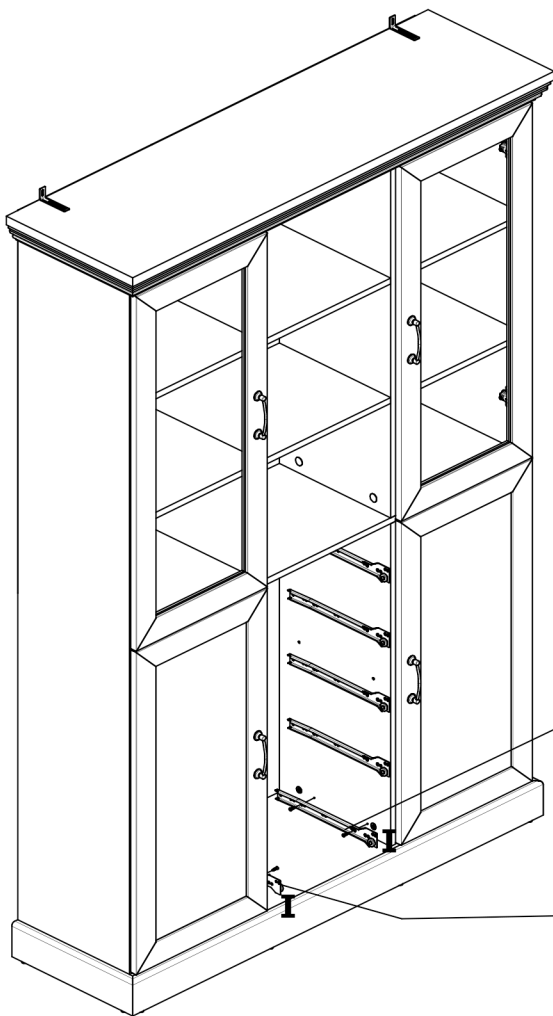
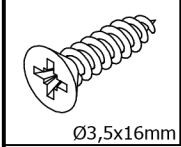
P19-CL x 1



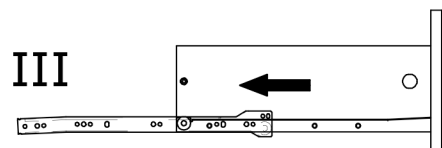
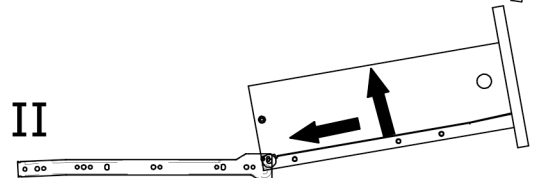
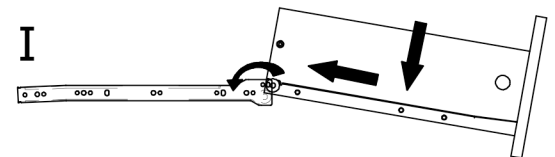
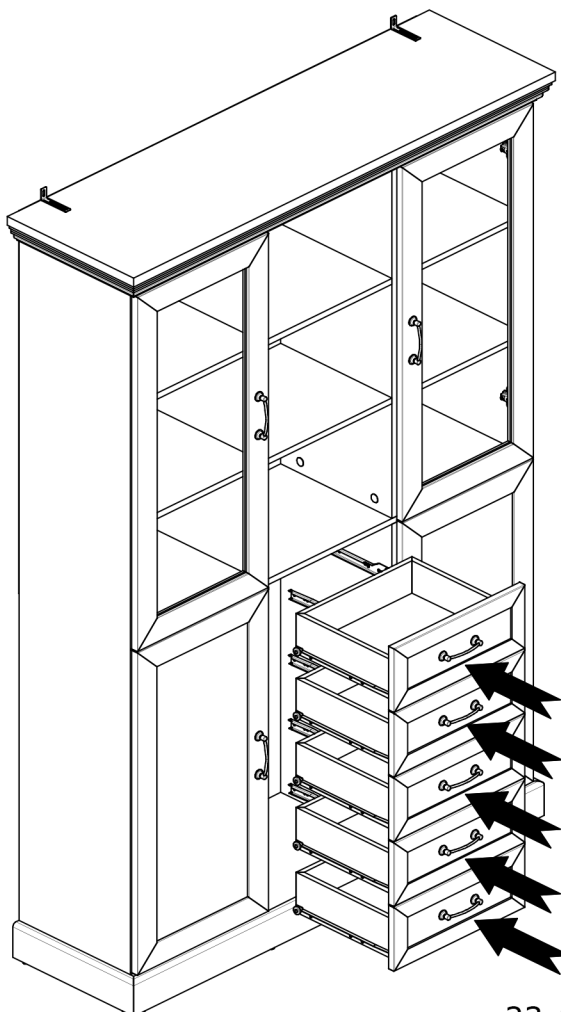
P19-CR x 1



W2 x 4



23



24

